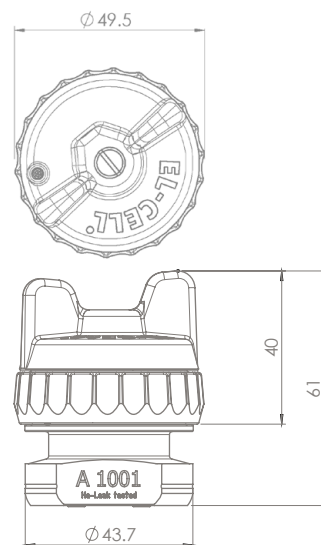




Measurements in mm:



PAT-Cell-HT

Heat resistant PAT series test cell for up to 200°C.

The PAT-Cell-HT is a test cell for 2- and 3-electrode measurements on battery materials at temperatures up to 200°C. It uses the modular PAT-Core concept and can therefore be used for a variety of test purposes. In order to fully utilize the temperature range up to 200°C, we recommend using the PAT-Heater-4 docking station.

To meet the challenges of battery tests at elevated temperatures, we offer a special version of the PAT-Core insulation sleeve. This reusable sleeve is made of PEEK (rather than PP) and is especially useful for the investigation of solid state (ceramic) electrolyte membranes.

Key Features

- Cableless test cell with all advantages of the PAT-Core
- PAT-series test cell for 2-or 3-electrode testing at elevated temperatures
- Continuous operating temperature: up to 200°C
- Compatible with solid state electrolyte membranes

Use Cases:

- 2- or 3 electrode setup
- Operating temperature up to 200 °C
- Compatible with solid state electrolyte membranes

Product website:

