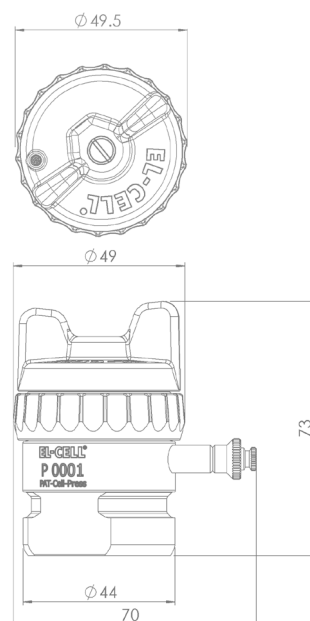




Measurements in mm:



PAT-Cell-Press

The PAT-Cell-Press is the ideal, leakproof cell for pressure testing.

The PAT-Cell-Press is a pressure test cell for measuring gas evolution and drawing gas samples (option). Its advanced design includes a laser welded pressure sensor and glass-to-metal seals. The number of non-permanent seals is reduced to its minimum: a single seal between cell lid and base and a ferrule when the cell is ordered with the optional gas sample port. In order to ensure best testing results, every PAT-Cell-Press is intensively tested for helium leaks.

The PAT-Cell-Press can be operated directly with the PAT-Tester-x and PAT-Tester-i-16 potentiostats. If used with a 3rd party potentiostat, the additional PAT-Press-Box is required.

Key Features

- Cableless test cell with all advantages of the PAT-Core
- Laser welded pressure sensor, pressure range of 0 to 3 bar abs. (0.5 to 4.5 V output signal)
- Optional gas sample port (PAT-Cell-Press S)
- Compatible with aprotic as well as aqueous electrochemistry
- Analog outputs for pressure and temperature for seamless integration with other instruments
- PAT-Button for automatic cell identification in EL-Software

Use Cases:

- 2- or 3 electrode setup
- Quantifying gas evolution/ consumption
- Taking gas samples for subsequent analysis
- Aprotic and aqueous electrolytes

Product website:



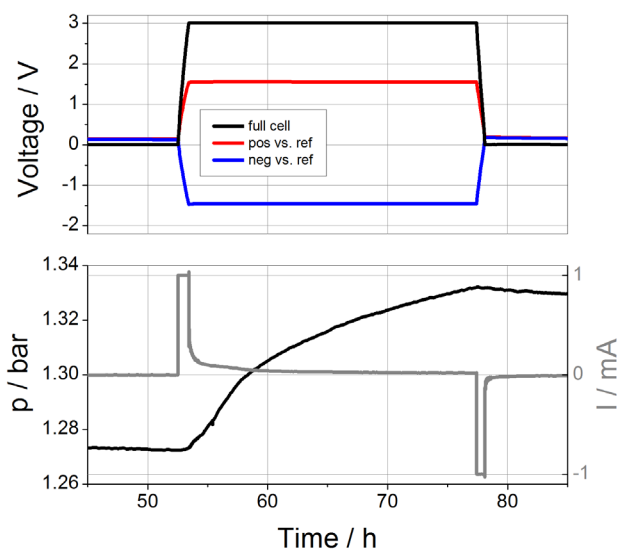
Manual (PDF):



Specifications

Height	61 mm
Diameter (Lid)	49.5 mm
Diameter (Cell base)	44 mm
Width with attached sample port (PAT-Cell-Press-S)	70 mm
Weight	0.5 kg
Separator diameter	21.6 mm
Electrode diameter	18 mm
Dead volume (with inserted PAT-Core / without PAT-Core)	3.6 ml / 8.1 ml
Range of pressure sensor	0 to 3 bar abs. (0.5 to 4.5V output signal)
Accuracy of pressure sensor	< 5 mbar
Resolution of pressure sensor	< 0.2 mbar
Operational temperature	-20 to 80 °C

Sample test result



Pressure response during cc/cv cycling of a supercapacitor
 Test setup: PAT-Cell-Press, activated carbon electrodes, activated carbon reference, 1M TEABF₄ in acetonitrile, 25µm polyolefine separator (2x)

Available variants



PAT-Cell-Press S
with gas sample port



PAT-Cell-Press